



**SMARTPRO**<sup>®</sup>

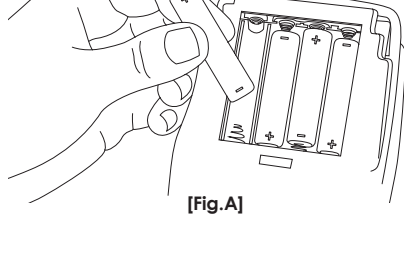
GENERATION AHEAD TECHNOLOGY

## Screen I Quick Start Guide

---

### Step 1.

**Option 1 :** Powered by 4 x AAA Batteries **[Fig. A].**



**[Fig.A]**

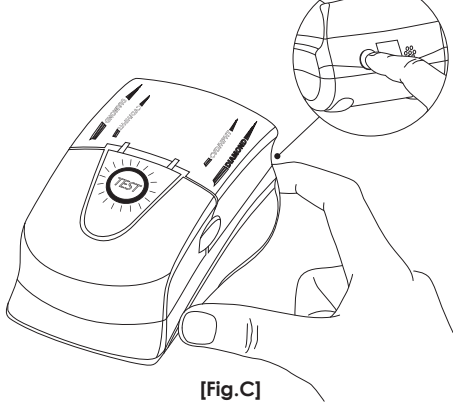
**Option 2 :** Powered by USB cable **[Fig. B].**



**[Fig.B]**

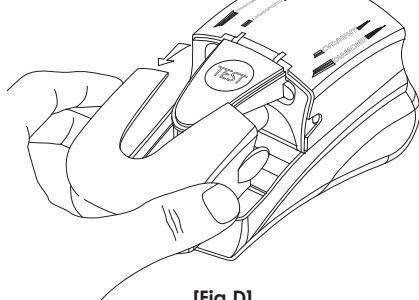
**Note :** Please read user manual for more detail.

**Step 2.** Turning on **[Fig. C].**



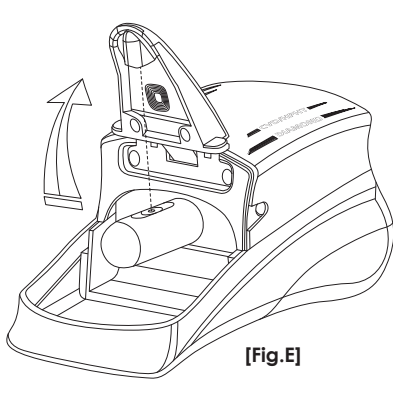
**[Fig.C]**

**Step 3.** Remove the Dust Cover **[Fig. D].**



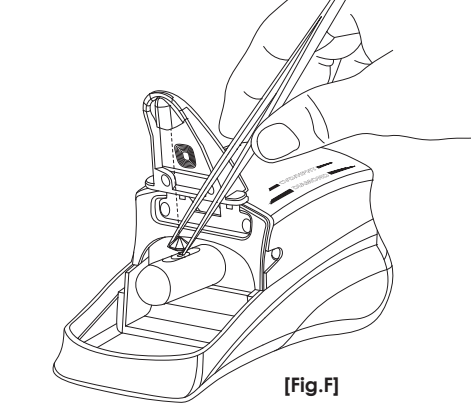
**[Fig.D]**

**Step 4.** Open the lid cover and can see the test platform with Laser Indicator **[Fig. E].**



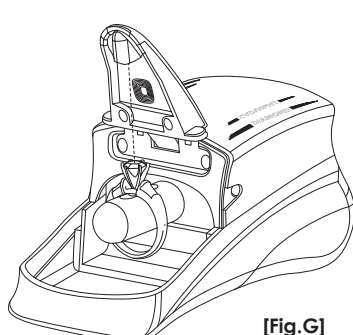
**[Fig.E]**

**Step 5.** Place the loose colorless stone on the Test Platform **[Fig. F].**



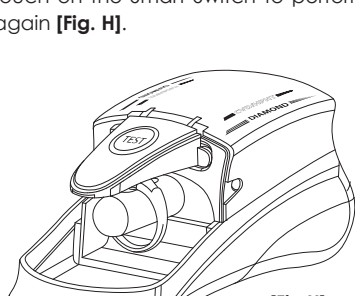
**[Fig.F]**

Or place the mounted stone on the Test Platform **[Fig. G].**



**[Fig.G]**

**Step 7.** Close the Lid Cover for start testing one time auto-test after closing the lid cover and just touch on the Smart Switch to perform the test again **[Fig. H].**



**[Fig.H]**

**Notice :** SPS I operates with SWUV light which is hazardous if exposed to human eyes and skin. Do not attempt to look at the light source directly or expose your skin to it.